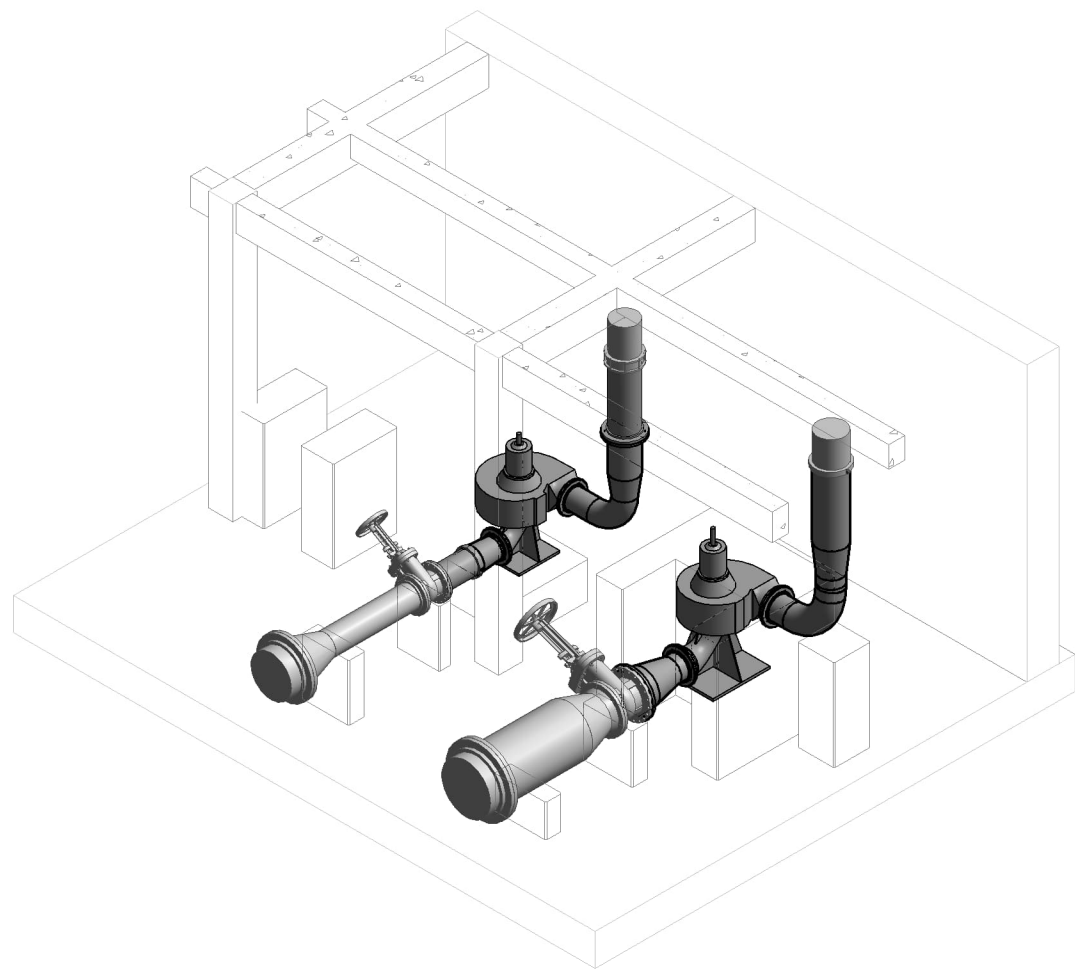
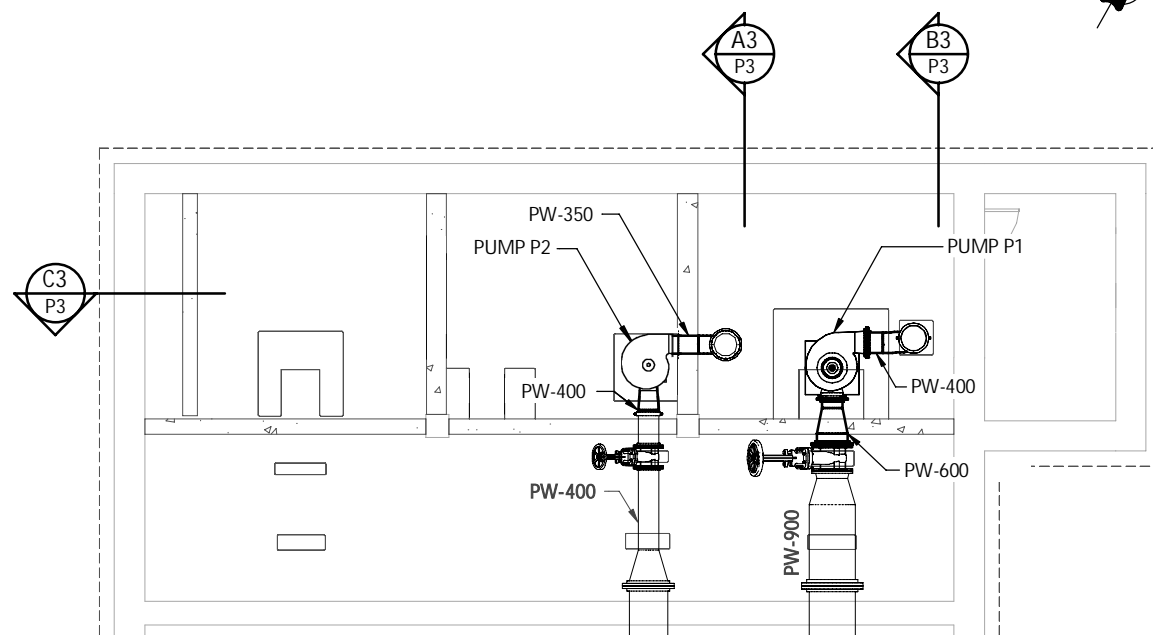


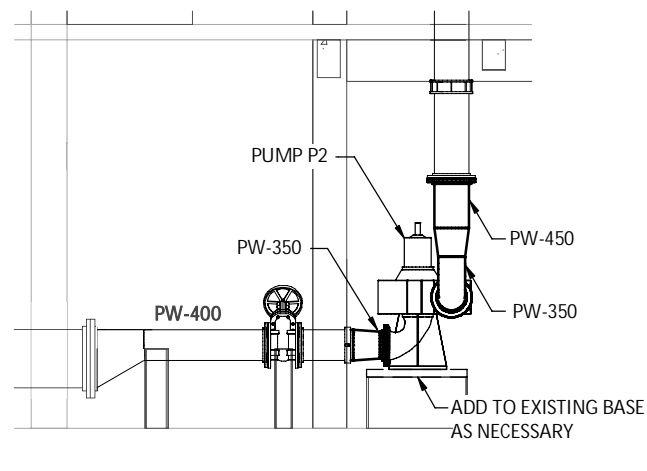
Current Upgrade Project  
Proposed Pump Room Approximation



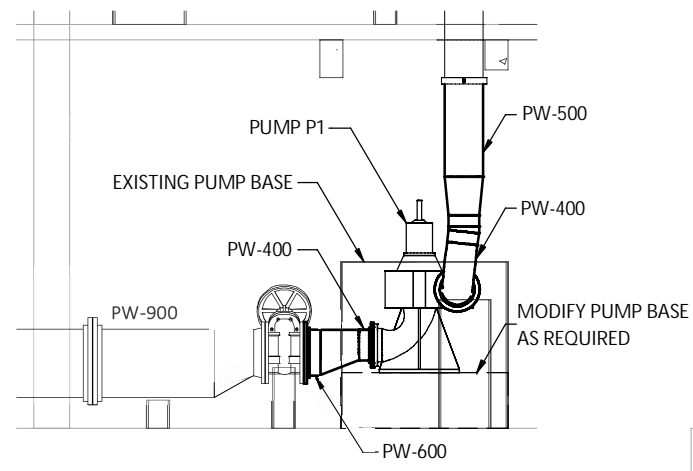
ISOMETRIC VIEW  
NTS



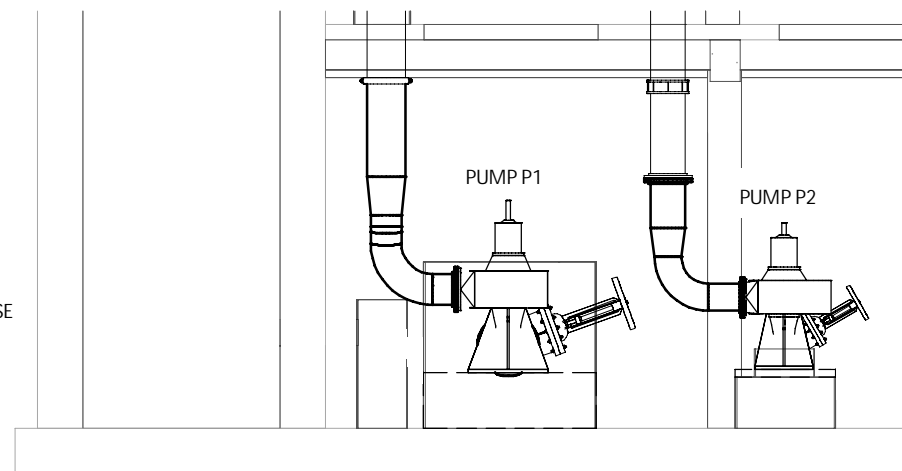
PUMP ROOM PLAN  
1 : 150



A3  
P1 1 : 100



B3  
P1 1 : 100



C3  
P1 1 : 100

NOTES:

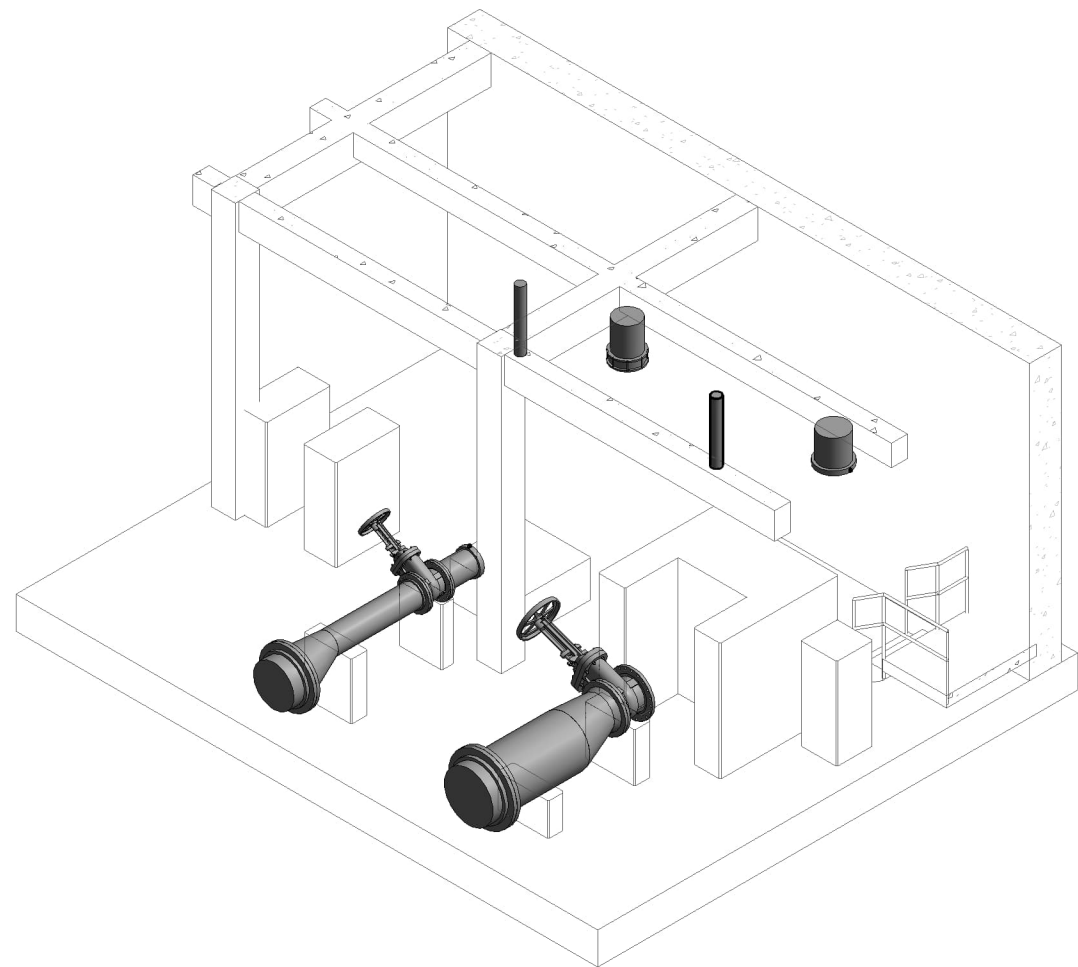
1	23-10-25	FOR PRELIMINARY APPROVAL
ISSUE	YY-MM-DD	REVISION



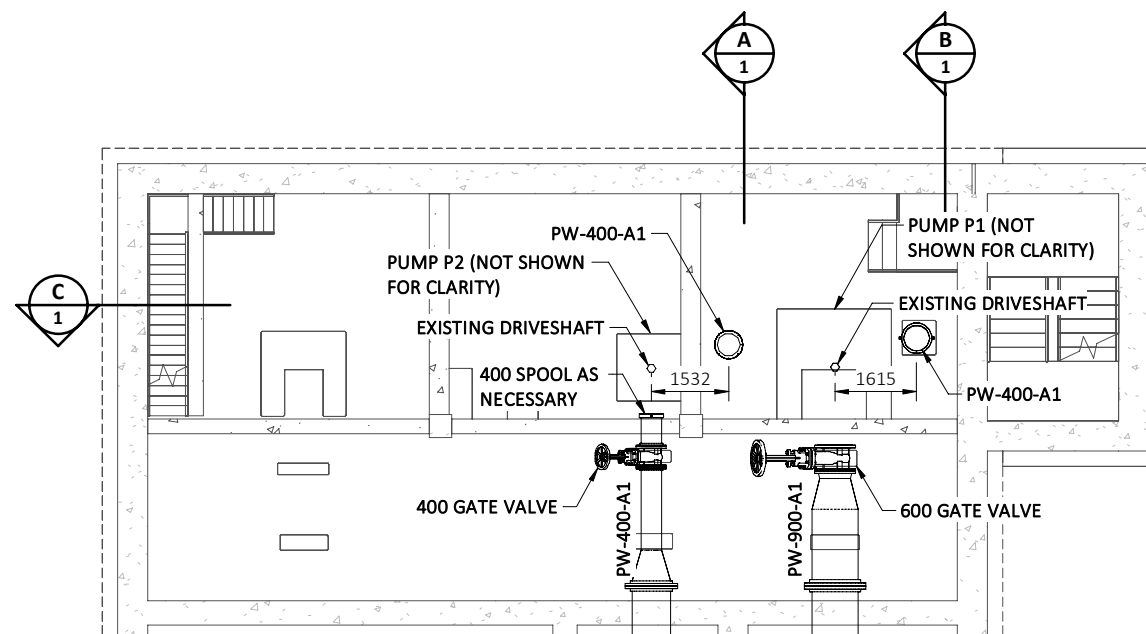
CITY OF WINNIPEG

PERIMETER ROAD PUMPING STATION  
PROCESS  
PROPOSED PUMP LAYOUT

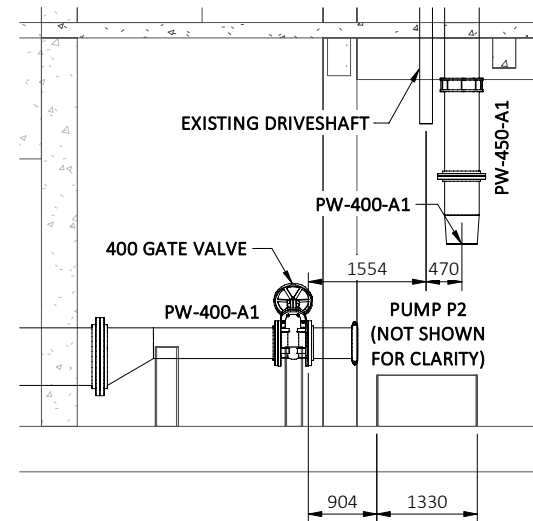
DESIGNED	B.R.B.	JOB	8400-007-00
DRAWN	D.A.B.	SCALE	As indicated
DATE	OCTOBER 2023	DRAWING	P3



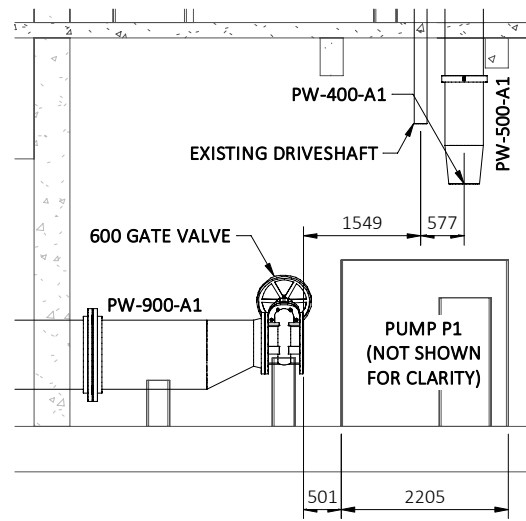
**ISOMETRIC VIEW (EXISTING ALIGNMENT)**  
NTS



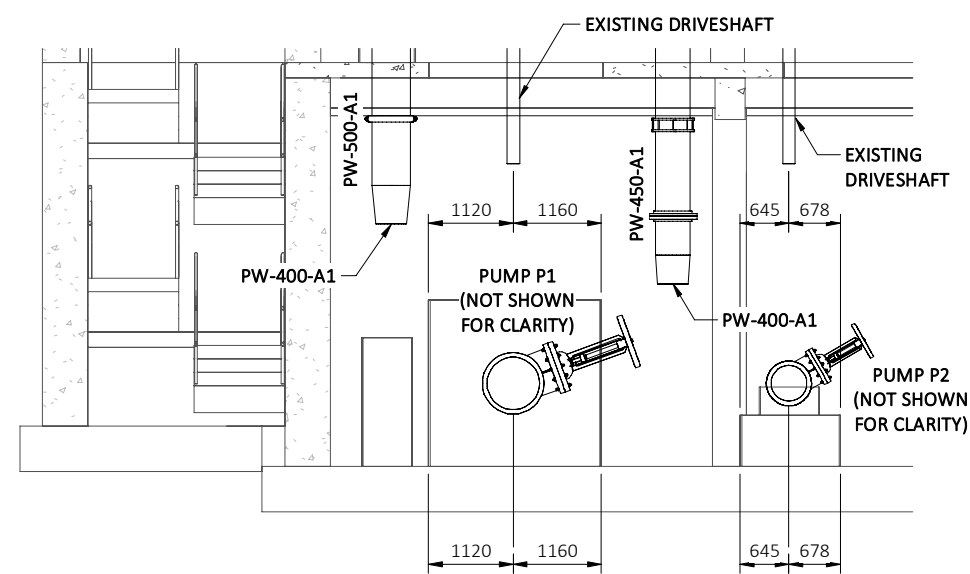
**PUMP ROOM PLAN (EXISTING ALIGNMENT)**  
1 : 150



**A**  
1 : 100



**B**  
1 : 100



**C**  
1 : 100

NOTES:

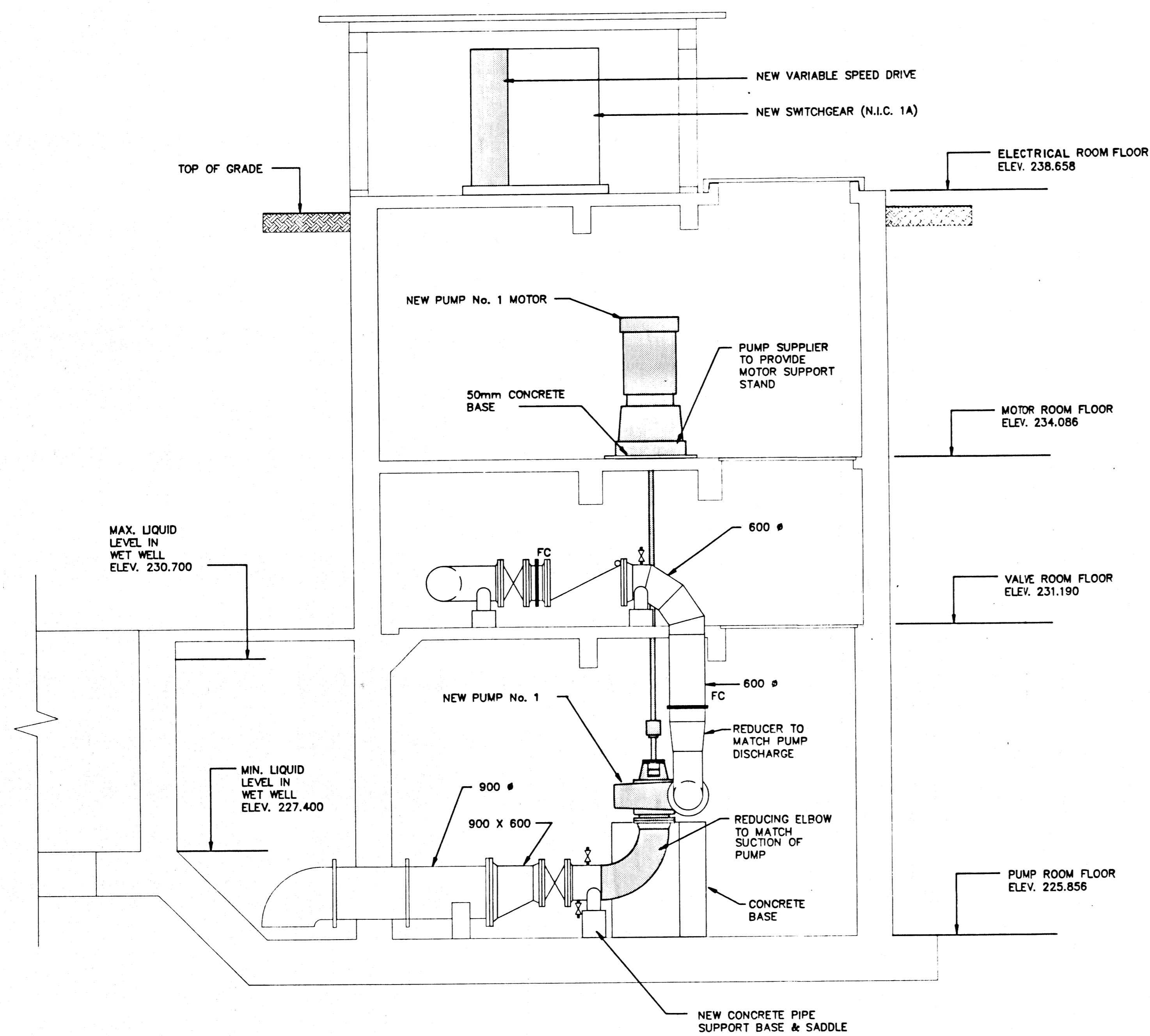
1	24-02-08	FOR TENDER
ISSUE	YY-MM-DD	REVISION



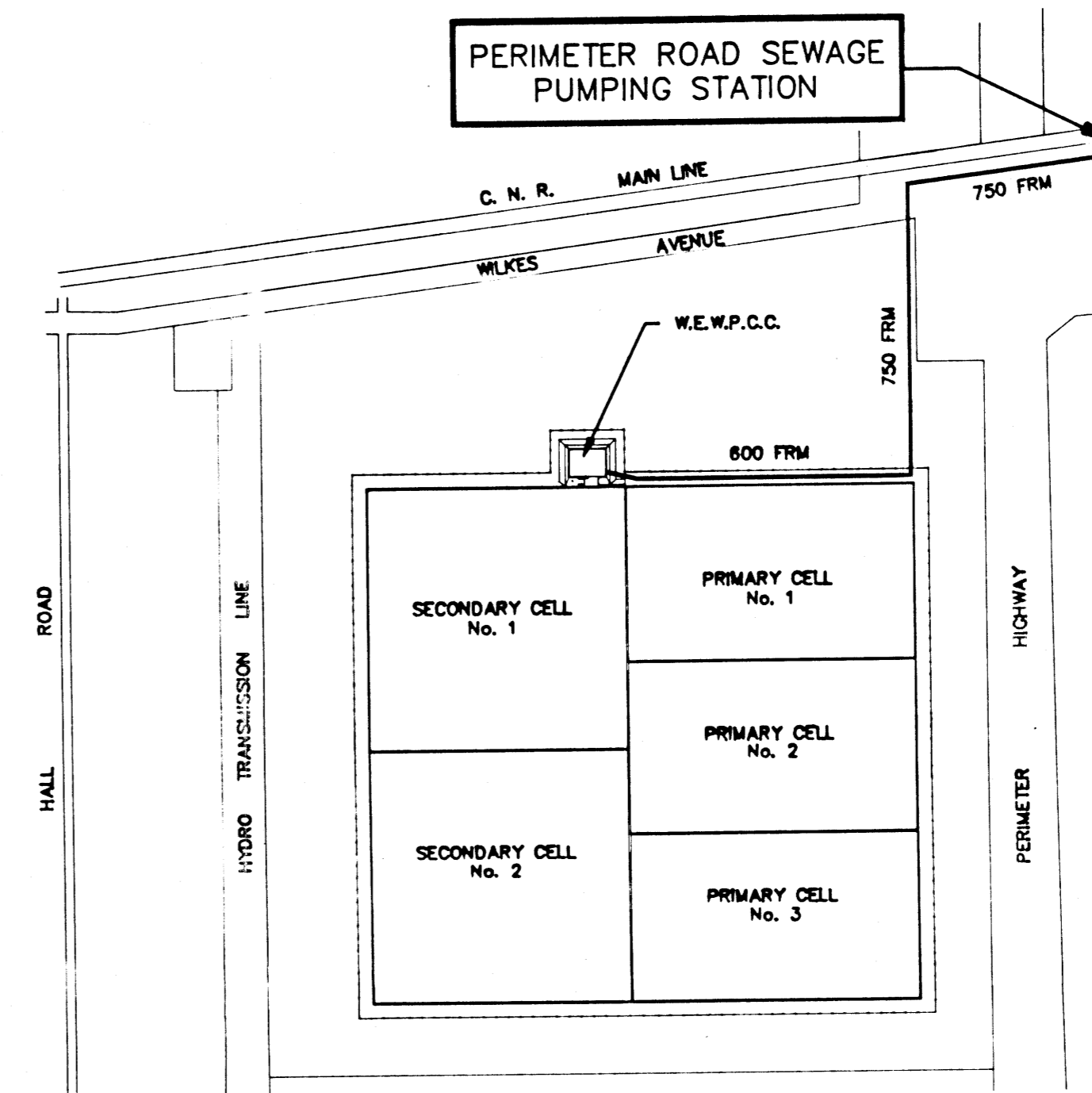
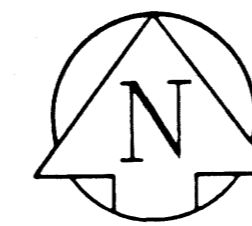
**CITY OF WINNIPEG**

**PERIMETER ROAD PUMPING STATION  
PROCESS  
PUMP 1 AND 2 ALIGNMENT DIMENSIONS**

DESIGNED	B.R.B.	JOB	8400-007-00
DRAWN	D.A.B.	SCALE	As indicated
DATE	FEBRUARY 2024	DRAWING	1



NEW PUMP SETTING  
1 : 50



LOCATION PLAN  
1 : 12500 ±

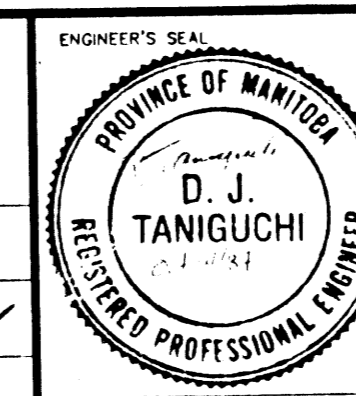
LEGEND

SUPPLIED UNDER CONTRACT 1A

SPEC Reid Crowther &  
TA Supply, delivery  
180 and supervision of  
.S6563 the installation of  
89005151one pump, one

B.M. ELEV.	48-003 238.648
DESIGNED BY	D. J. T.
CHECKED BY	J.C.H.
DRAWN BY	P. A. L.
APPROVED BY	
HOR. SCALE	AS SHOWN
RELEASED FOR CONSTRUCTION	DATE 87 07 21
NO. REVISIONS	DATE BY

Reid Crowther



THE CITY OF WINNIPEG  
WORKS AND OPERATIONS DIVISION  
WATERWORKS, WASTE & DISPOSAL DEPT.

PERIMETER ROAD PUMPING STATION  
SUPPLY OF NEW PUMPING  
EQUIPMENT, PUMP SETTING  
AND LOCATION PLAN

CITY DRAWING NUMBER  
PRS-33  
SHEET 1 OF 1  
1A-P1

FILE # SP10851

PRS-033